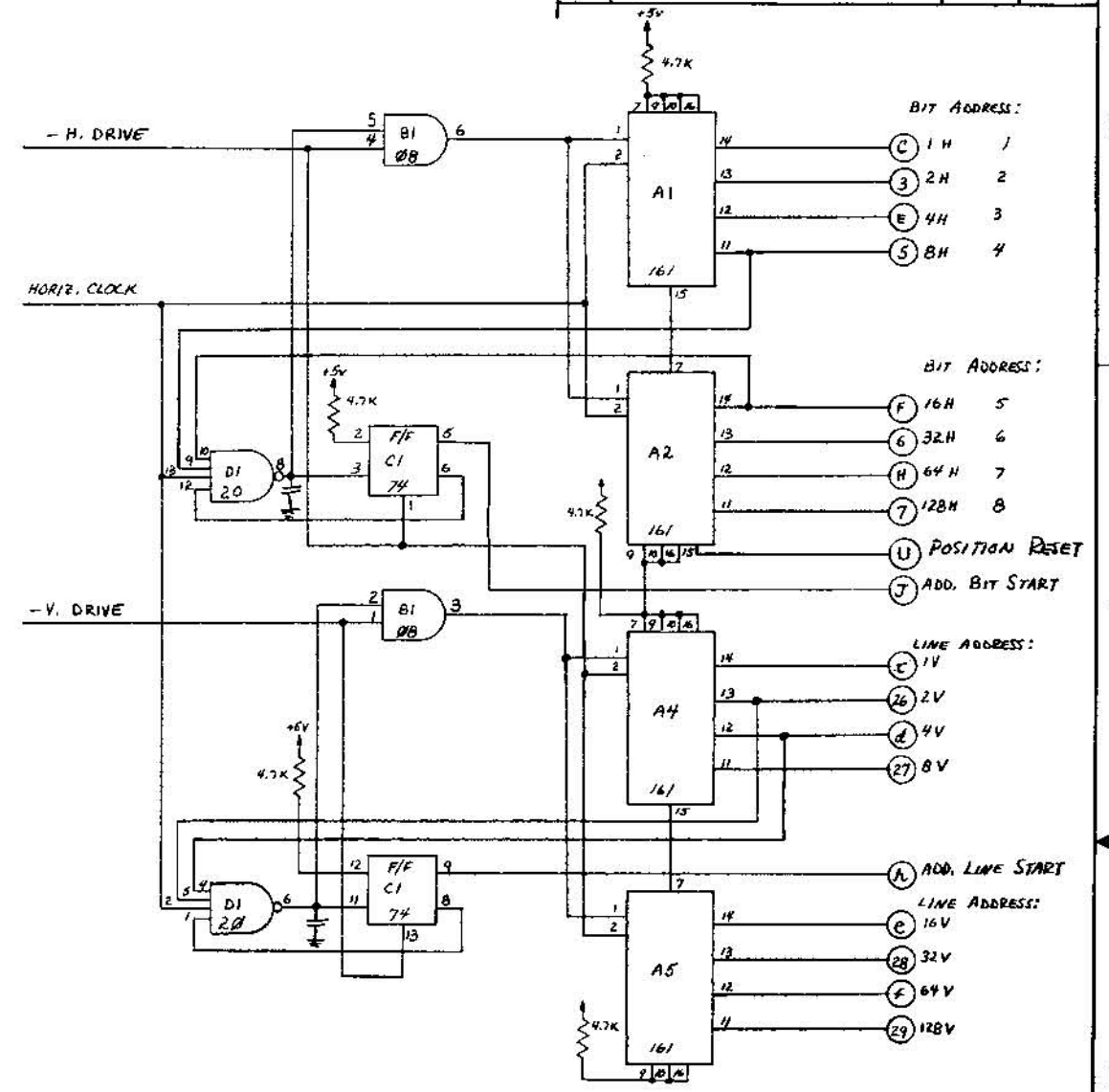
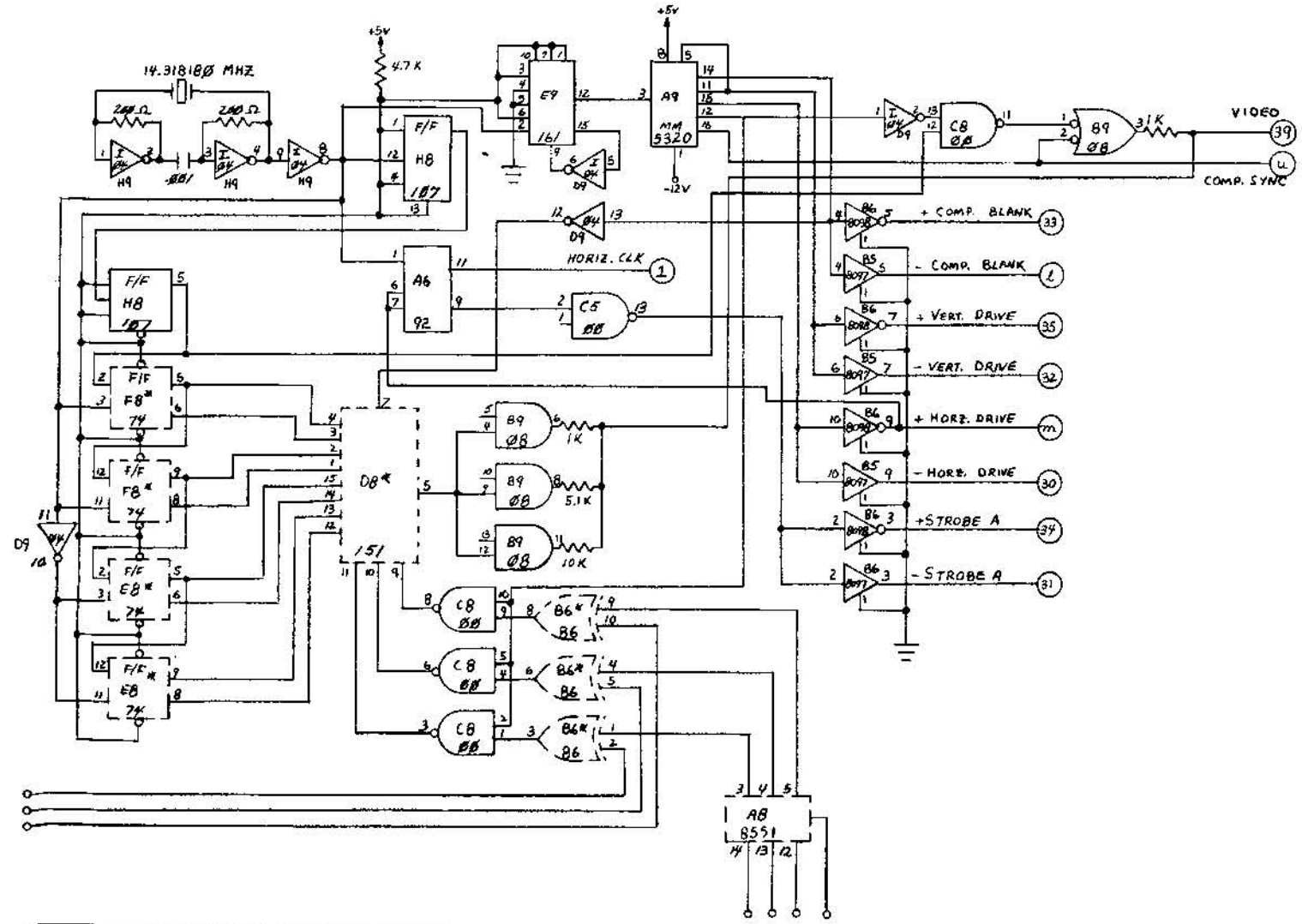


REVISIONS			
ISSUE	DESCRIPTION	DATE	APPROVAL

	TITLE		APPROVED INT. DATE	
	BAZOOKA BOARD ONE		TOP ASST.	DRAWN
PROJECT SUPPORT ENGINEERING		750 NORTH MARY AVENUE	SUNNYVALE, CALIFORNIA 94088	PHONE: (408) 739-8550
DRAWING NO.		SCALE	PROJ. ENG.	SH. 1 OF 2

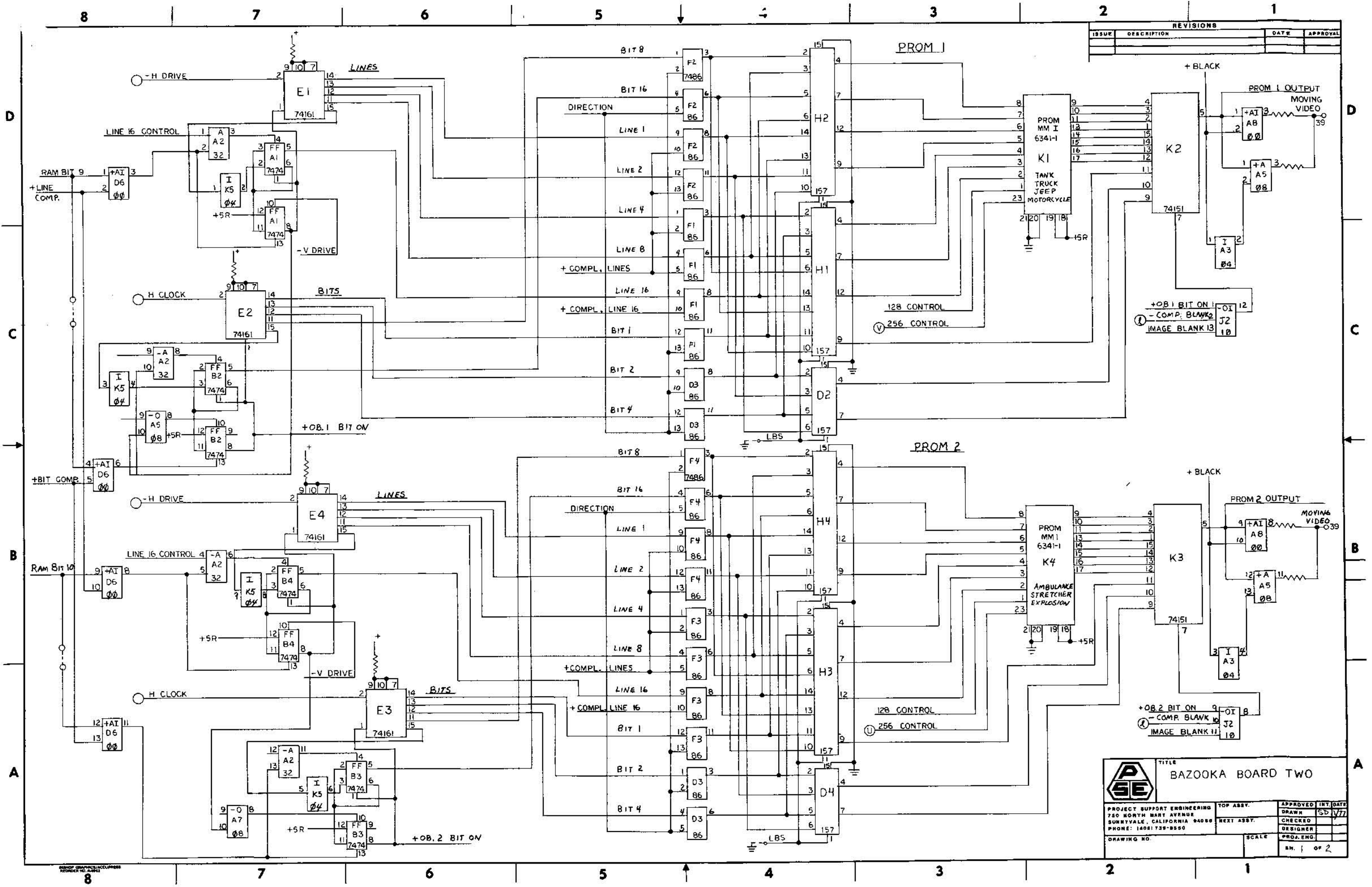
REVISIONS			
ISSUE	DESCRIPTION	DATE	APPROVAL



\* NOTE: COMPONENTS WITH DASHED LINES LOADED ONLY FOR COLOR.

**TITLE**  
**BAZOOKA BOARD ONE**

PROJECT SUPPORT ENGINEERING 780 NORTH MARY AVENUE SUNNYVALE, CALIFORNIA 94086 PHONE: 1408/738-8550	TOP ASST. NEXT ASST.	APPROVED DRAWN CHECKED DESIGNER	INT. DATE
DRAWING NO.	SCALE	PROJ. ENG.	SH. 2. OF 2.



REVISIONS			
ISSUE	DESCRIPTION	DATE	APPROVAL

		<b>TITLE</b> BAZOOKA BOARD TWO	
PROJECT SUPPORT ENGINEERING 750 NORTH BART AVENUE SUNNYVALE, CALIFORNIA 94088 PHONE: 14081 738-8550	TOP ASSY. NEXT ASSY.	APPROVED DRAWN CHECKED DESIGNER PROJ. ENG.	INT. DATE SB/77 AN. 1 OF 2



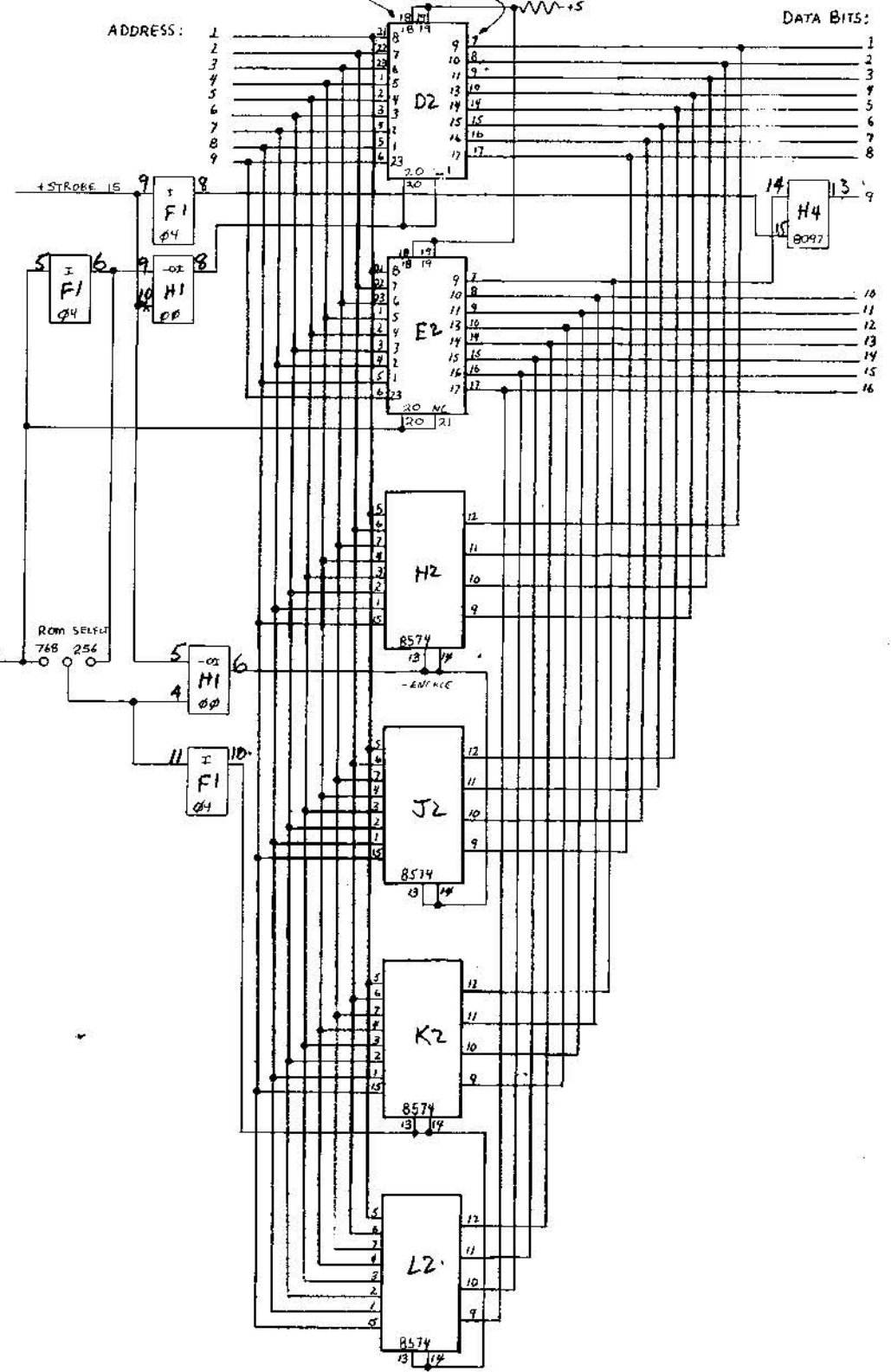




REVISIONS			
ISSUE	DESCRIPTION	DATE	APPROVAL

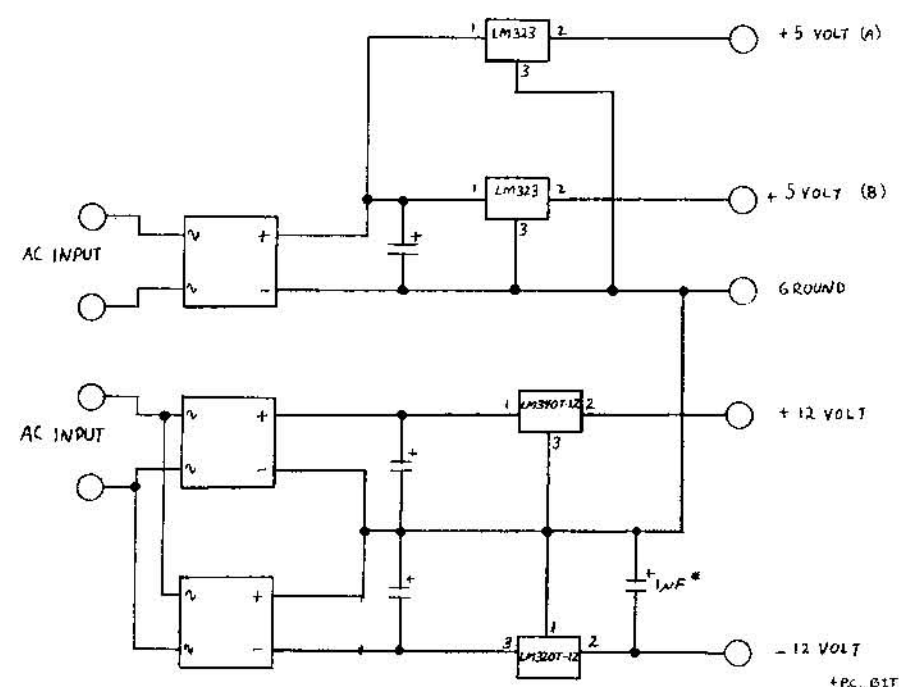
PROM BUSSING

MMI PIN ASSIGNMENT (6391-1)      SIGNETICS PIN ASSIGNMENT (825113)



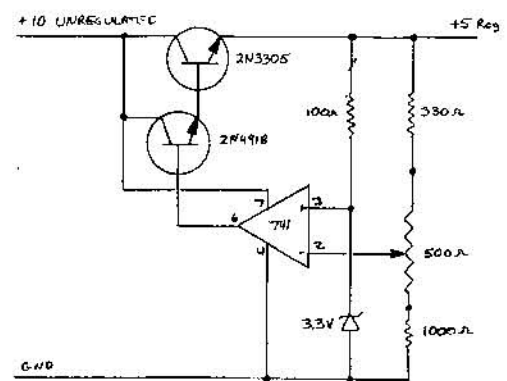
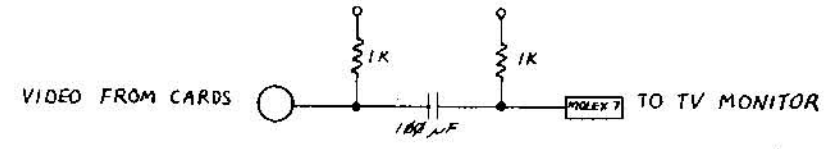
3191

POWER SUPPLY

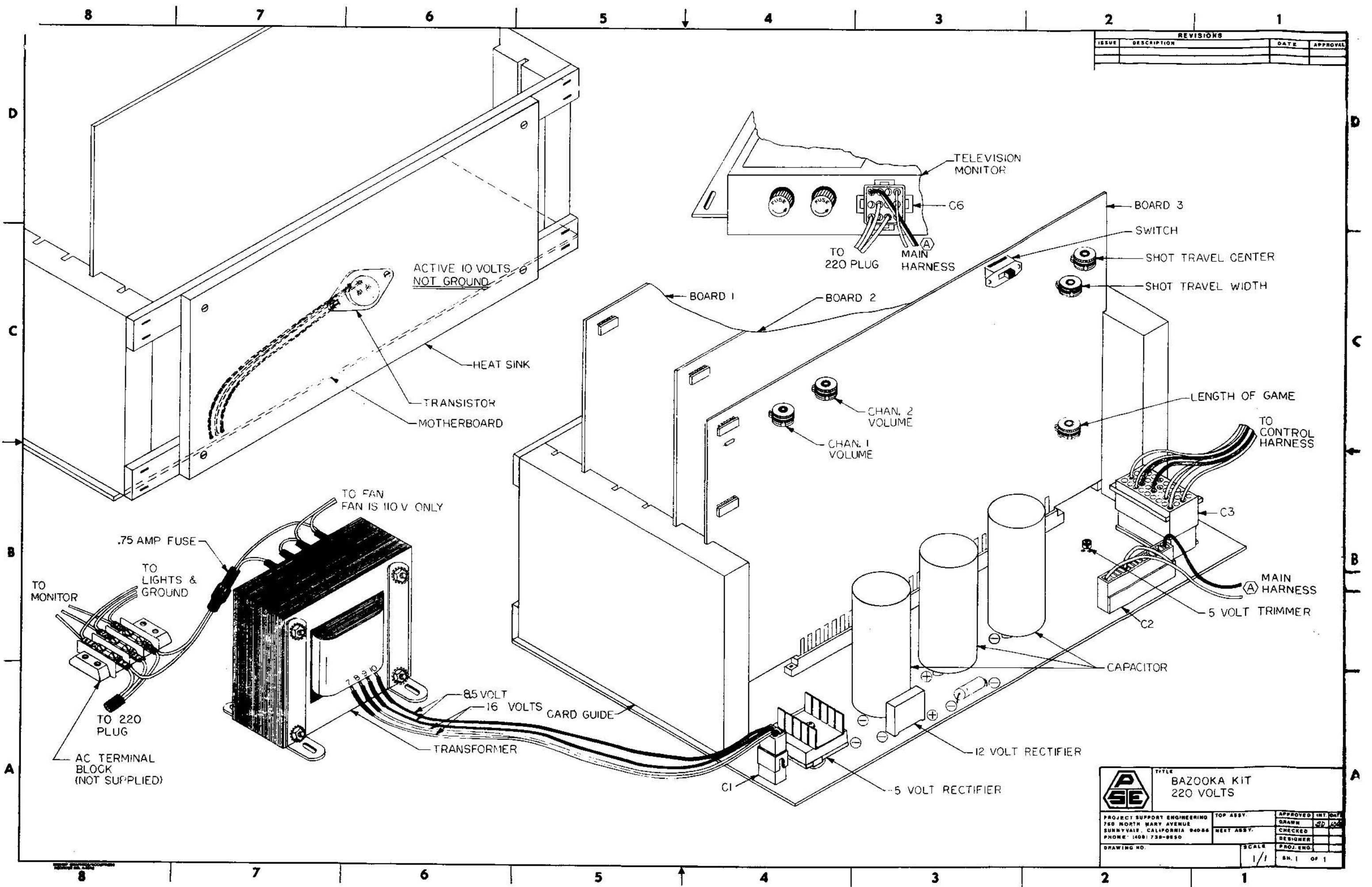


\* DENOTES SOLID TANTALUM

MOTHERBOARD VIDEO CIRCUIT



	TITLE	POWER SUPPLY AND PROM BUSSING	
	PROJECT SUPPORT ENGINEERING 750 NORTH MARY AVENUE SUNNYVALE, CALIFORNIA 94086 PHONE: (408) 139-8550	TOP ASSY.	APPROVED (INT. DATE)
DRAWING NO.	SCALE	NEXT ASSY.	CHECKED
		DESIGNER	PRD. ENG.
		SH.	OP



REVISIONS			
ISSUE	DESCRIPTION	DATE	APPROVAL

		<b>TITLE</b> BAZOOKA KIT 220 VOLTS	
PROJECT SUPPORT ENGINEERING 750 NORTH MARY AVENUE SUNNYVALE, CALIFORNIA 94086 PHONE: (408) 738-8850	TOP ASSY. NEXT ASSY.	APPROVED: [Signature] CHECKED: [Signature] DESIGNER: [Signature]	INT. DATE [Signature] [Signature] [Signature]
DRAWING NO. 1/1		SCALE 1/1	
		SH. 1 OF 1	