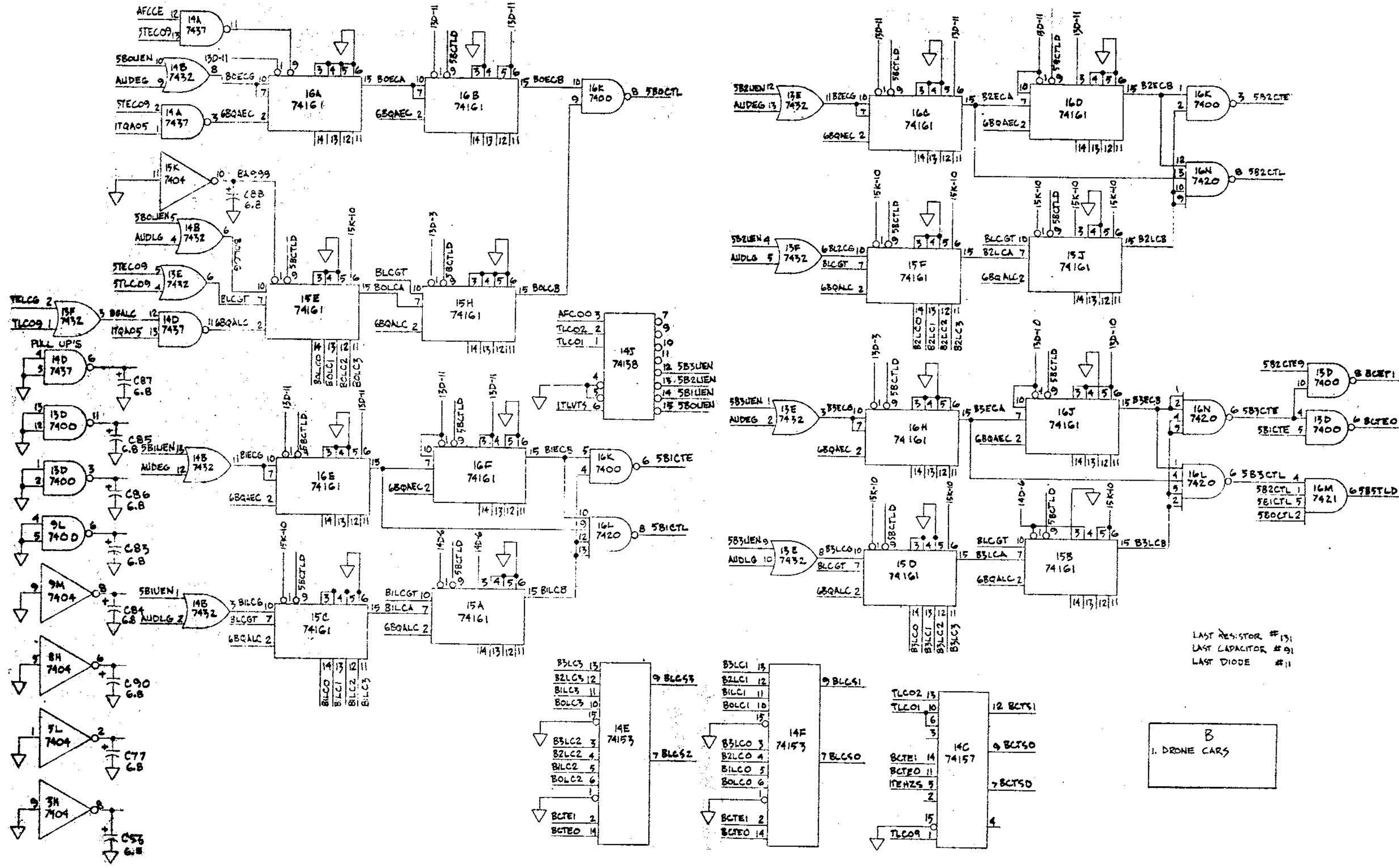


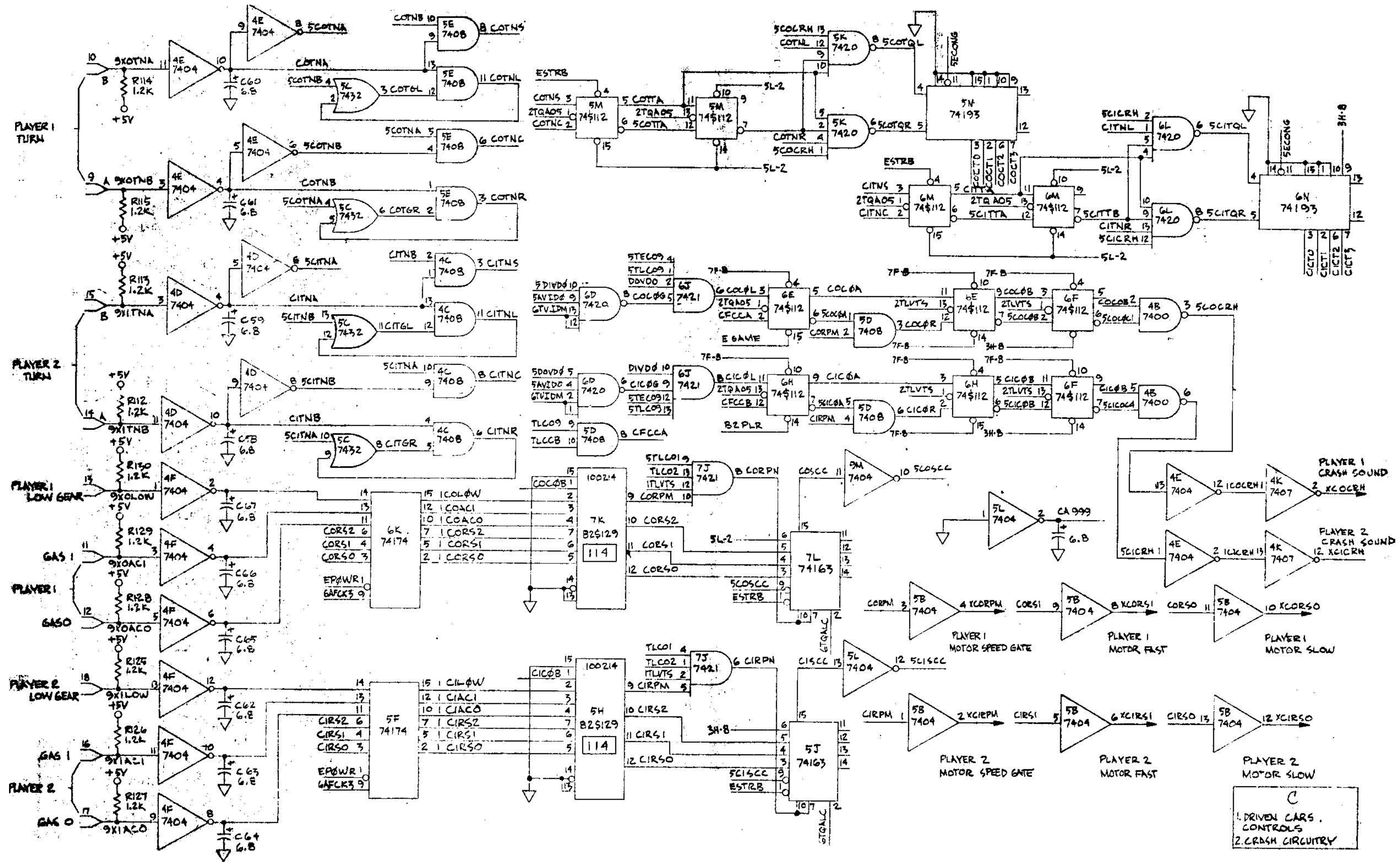
A
 1. DRONE CAR'S MULTIPLEX
 2. CONTROL

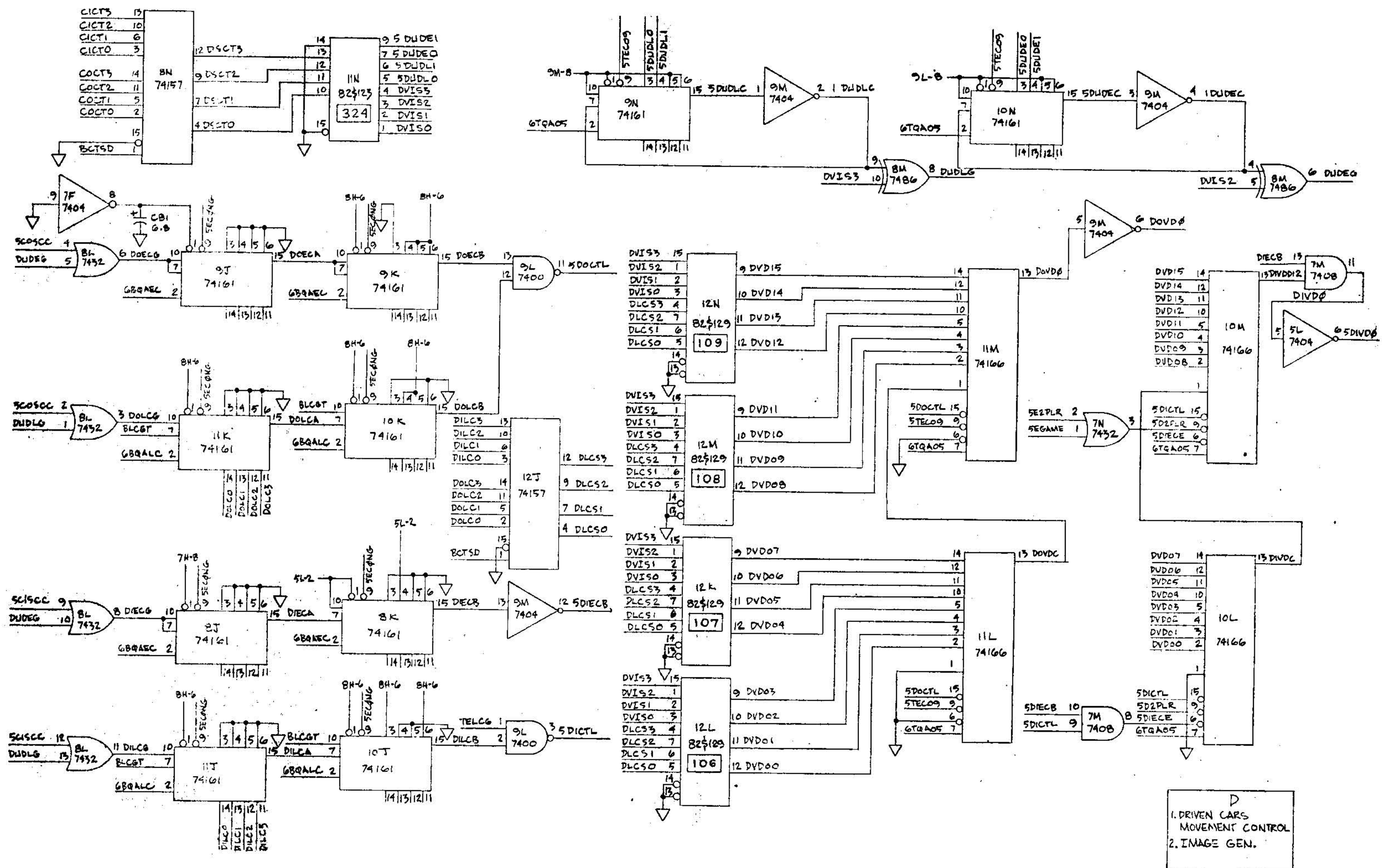
Alley Rally Exidy 1976



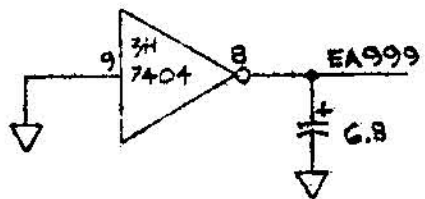
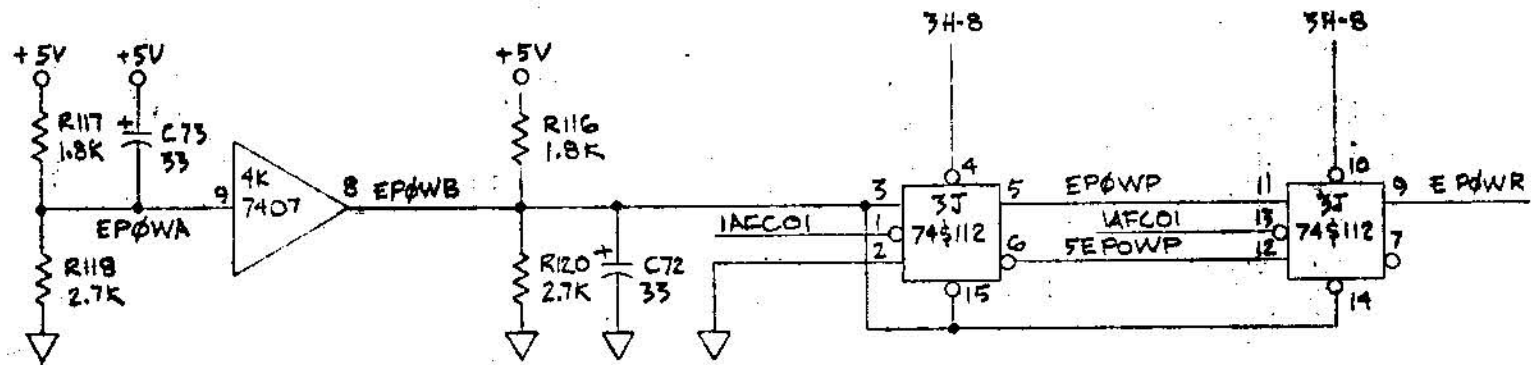
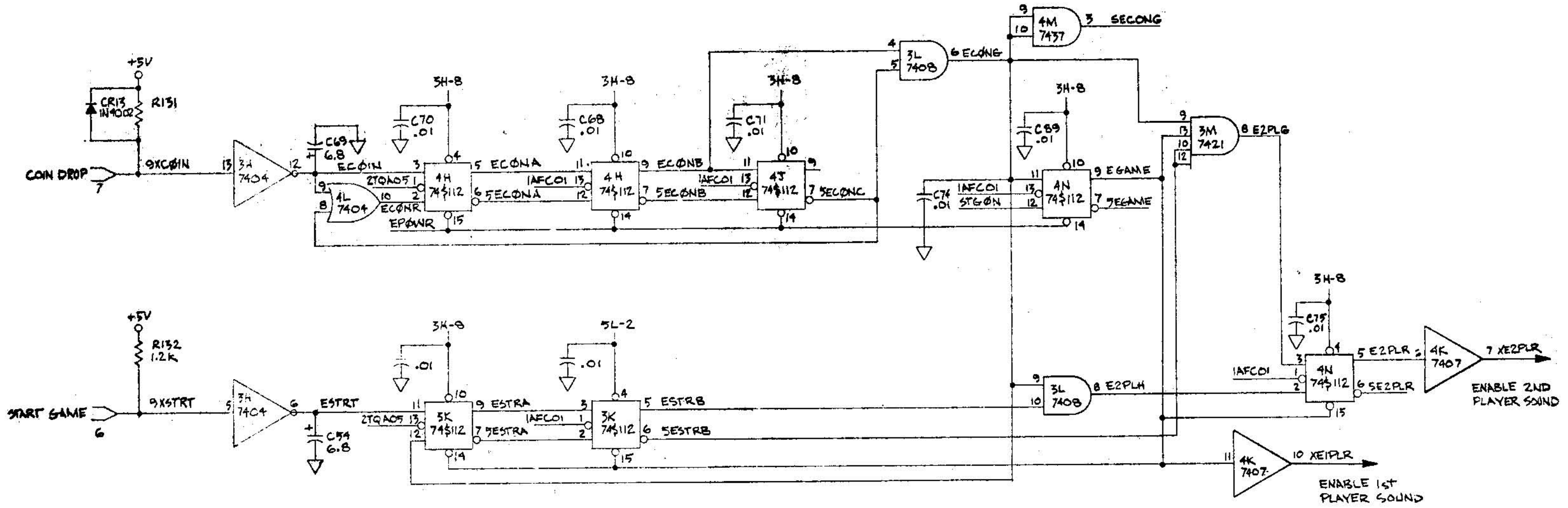
LAST RESISTOR #131
 LAST CAPACITOR #91
 LAST DIODE #11

B
 1. DRONE CAR5

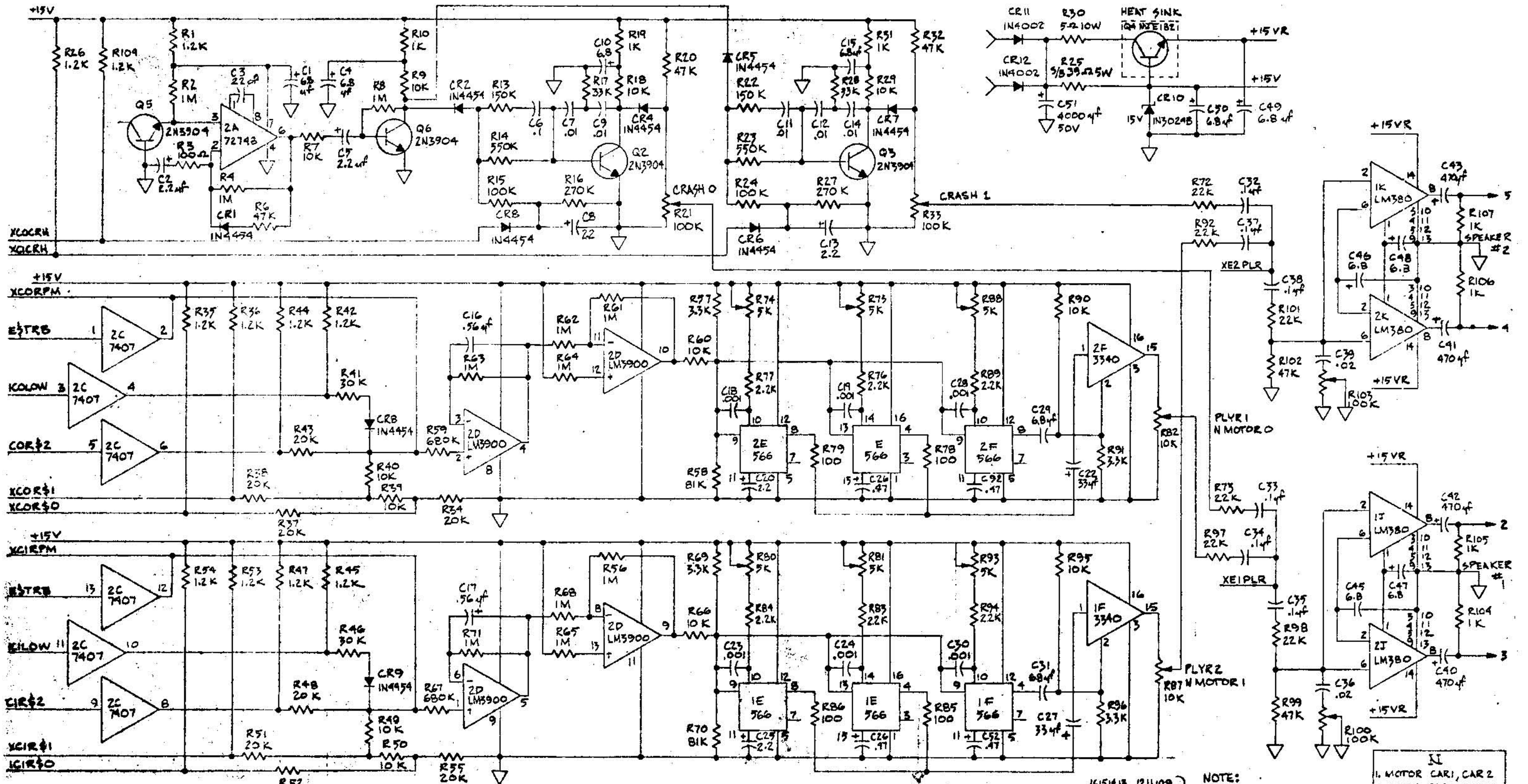




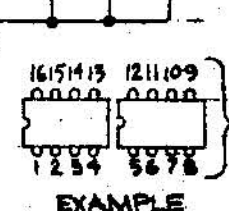
D
 1. DRIVEN CARS
 MOVEMENT CONTROL
 2. IMAGE GEN.



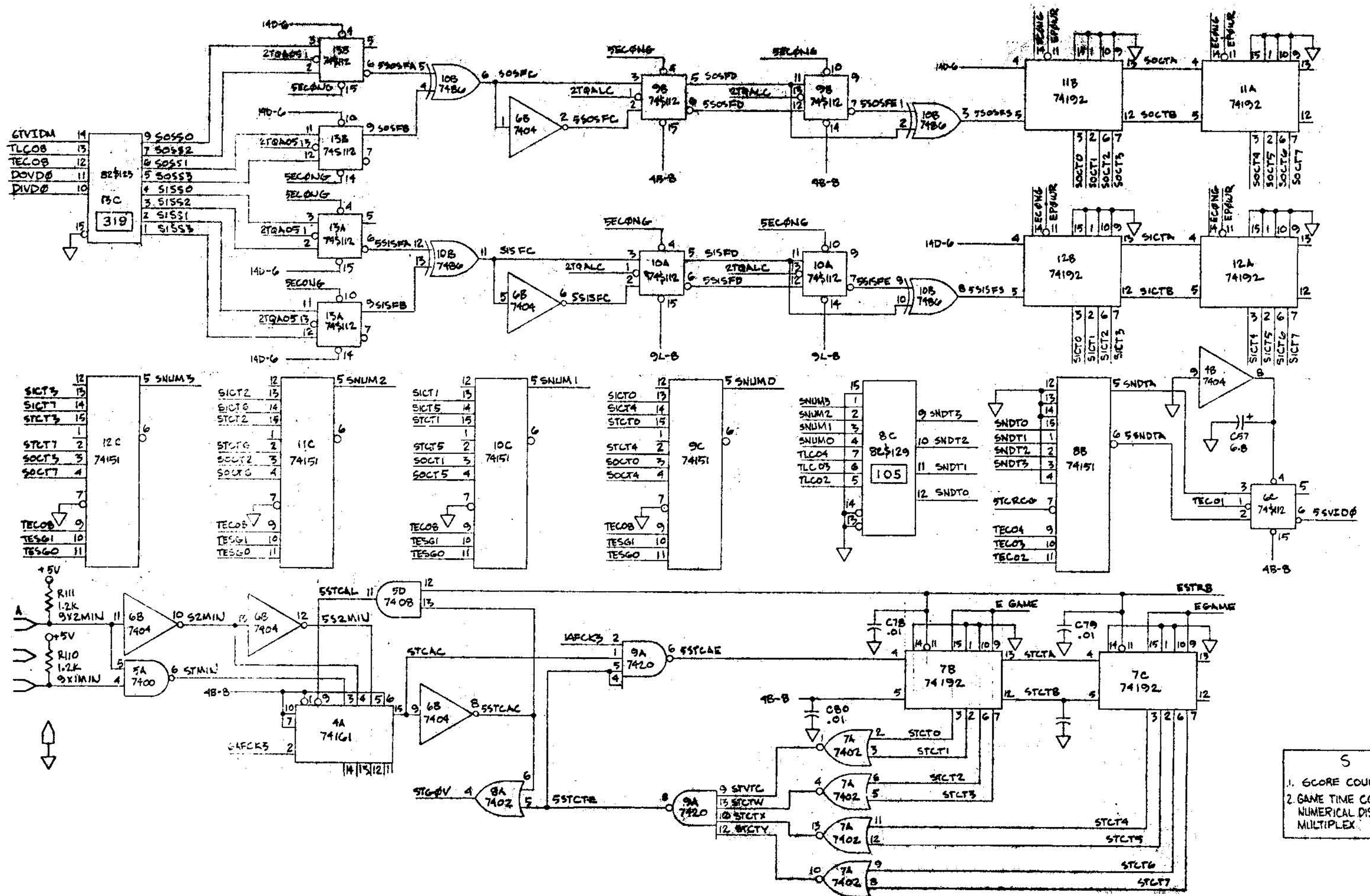
E
1. GAME CONTROL

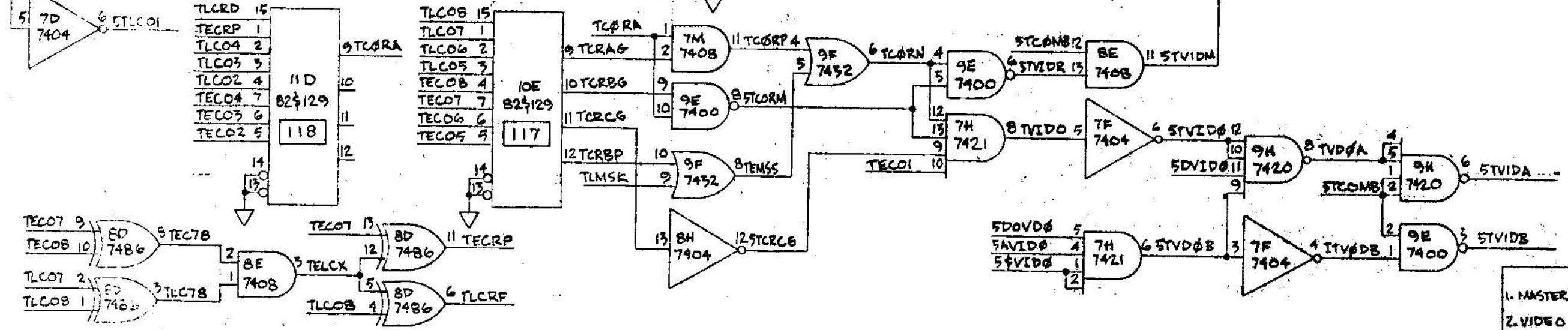
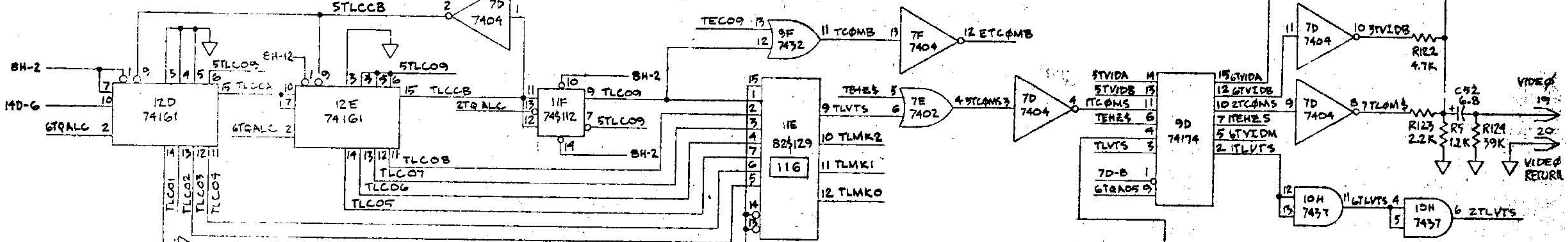
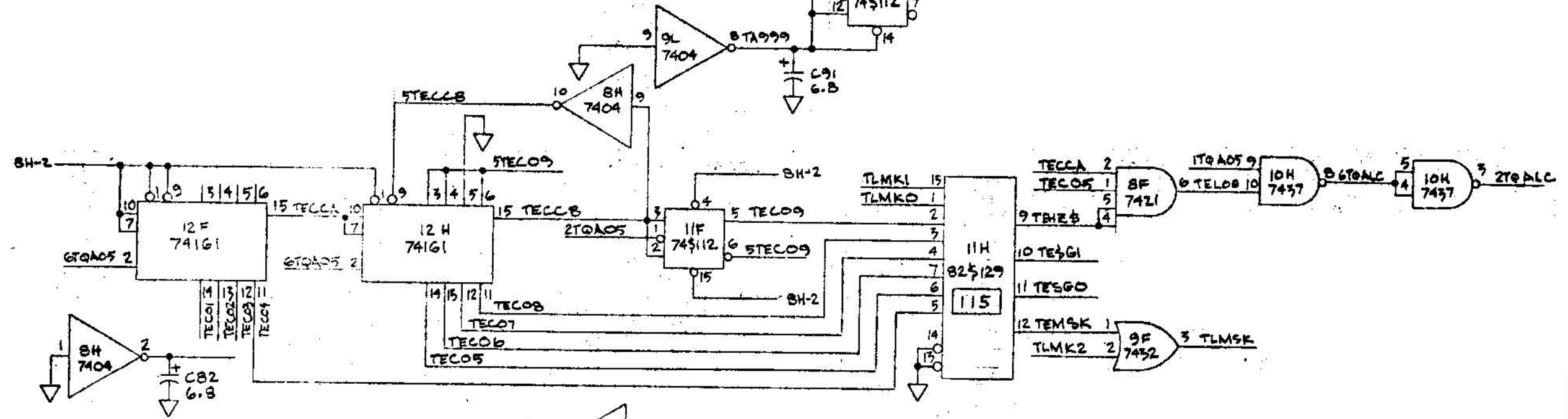
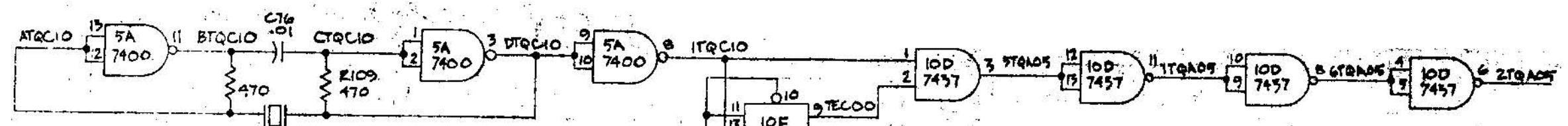


NOTE:
 8 PIN IC'S ARE LOCATED
 IN PINS AND PINOUTS
 LABELED AS EXAMPLE.



- 1. MOTOR CAR1, CAR2
- 2. CRASH CAR1, CAR2
- 3. AMPLIFIER PLY1, PLY2
- 4. POWER SUPPLY





T
1. MASTER TIMING
2. VIDEO OUTPUT